

## Varitile Viksen

**Varitile**<sup>®</sup>  
weather [p]roof

### The rustic charm of hand-split wooden shingles

The inspiration for **Varitile Viksen** traces its roots to ancient Viking architecture. Fortunately, these beautiful steel shingles won't burn or deteriorate like those roofs of old.

[www.varitile.com](http://www.varitile.com)



WIND



HAIL



FREEZE/THAW



ENERGY



LIGHTNING



IMPENETRABLE



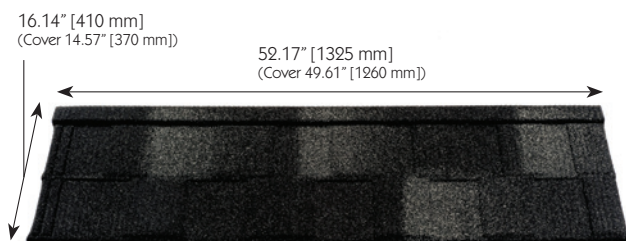
EARTHQUAKE



FIRE

# Varitile Viksen

Formed from the highest quality steel and protective coatings, Varitile is incredibly strong, lightweight and weather resistant.

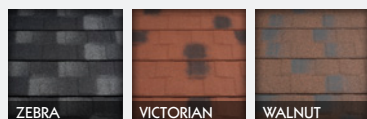


## SPECIFICATIONS

Minimum pitch	3.5/12	[15°]
Maximum pitch	vertical	[90°]
Size of tile - overall*	52.17" x 16.14"	[1325 x 410 mm]
Size of tile - cover*	49.61" x 14.57"	[1260 x 370 mm]
Gauge of steel**	26 gauge ZA300	[0,45 mm ZA300]
Linear cover width*	49.61"	[1260 mm]
Tiles per square	19.92 pc	[2,15 pc/m <sup>2</sup> ]
Weight per square*	132 pounds	[6,44 kg/m <sup>2</sup> ]
Weight per tile*	6.61 pounds	[3,00 kg]

\* The measurements and the weight may vary slightly by the finish that is added to the panel.  
\*\* Steel thickness according to the EN 10346.

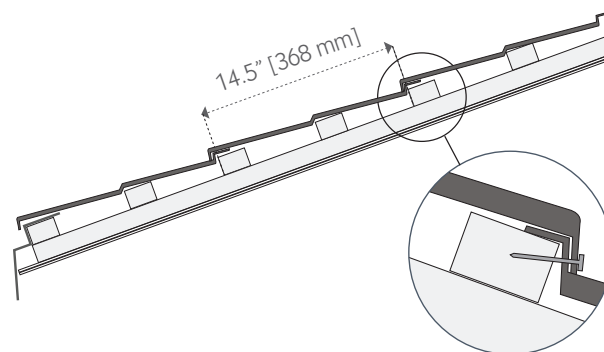
## STANDARD COLORS



More colors available.  
Ask your dealer for information.

## INSTALLATION

Viksen is installed from right to left on battens or solid decking. A minimum stagger of 7 inches (180mm) is recommended for maximum visual appeal and performance.



Panels are placed on nominal 2x2 wood battens spaced 14.5" [368mm].

A downturned front edge (nose) and upturned rear edge (shelf) on each tile creates a strong, weatherproof, overlapping and interlocking assembly. Each tile is secured with four nails in the panel nose, away from water channels.

## ACCESSORIES

Varitile offers a broad range of accessories.

- **Ridges, junctions and end caps.**  
Offered in angled, squared and curved profiles.
- **Fascia, sidewall and headwall transition flashings.**
- **Ventilation systems.**
- **Installation Equipment:** nails, benders, guillotines.  
It is important to use tools recommended by Varitile.

For a complete and detailed list of accessories and more information regarding the installation of a Varitile roof, contact your dealer.