



DEPARTMENT OF REGULATORY AND ECONOMIC RESOURCES (RER)
 BOARD AND CODE ADMINISTRATION DIVISION

NOTICE OF ACCEPTANCE (NOA)

MIAMI-DADE COUNTY
 PRODUCT CONTROL SECTION
 11805 SW 26 Street, Room 208
 Miami, Florida 33175-2474
 T (786) 315-2590 F (786) 315-2599
www.miamidade.gov/economy

Varitile Inc.
6 Denny Road Ste. 200
Wilmington, DE 19809

SCOPE:

This NOA is being issued under the applicable rules and regulations governing the use of construction materials. The documentation submitted has been reviewed and accepted by Miami-Dade County RER - Product Control Section to be used in Miami-Dade County and other areas where allowed by the Authority Having Jurisdiction (AHJ).

This NOA shall not be valid after the expiration date stated below. The Miami-Dade County Product Control Section (in Miami-Dade County) and/or the AHJ (in areas other than Miami-Dade County) reserve the right to have this product or material tested for quality assurance purposes. If this product or material fails to perform in the accepted manner, the manufacturer will incur the expense of such testing and the AHJ may immediately revoke, modify, or suspend the use of such product or material within their jurisdiction. RER reserves the right to revoke this acceptance, if it is determined by Miami-Dade County Product Control Section that this product or material fails to meet the requirements of the applicable building code.

This product is approved as described herein, and has been designed to comply with the Florida Building Code including the High Velocity Hurricane Zone of the Florida Building Code.

DESCRIPTION: Varitile Bond 7, Varitile Classic, Varitile Romana, Varitile Mistral, Varitile Viksen, Varitile Shake, Varitile Riviera and Varitile Gallo Metal Roof Panels

LABELING: Each unit shall bear a permanent label with the manufacturer's name or logo, city, state and following statement: "Miami-Dade County Product Control Approved", unless otherwise noted herein.

RENEWAL of this NOA shall be considered after a renewal application has been filed and there has been no change in the applicable building code negatively affecting the performance of this product.

TERMINATION of this NOA will occur after the expiration date or if there has been a revision or change in the materials, use, and/or manufacture of the product or process. Misuse of this NOA as an endorsement of any product, for sales, advertising or any other purposes shall automatically terminate this NOA. Failure to comply with any section of this NOA shall be cause for termination and removal of NOA.

ADVERTISEMENT: The NOA number preceded by the words Miami-Dade County, Florida, and followed by the expiration date may be displayed in advertising literature. If any portion of the NOA is displayed, then it shall be done in its entirety.

INSPECTION: A copy of this entire NOA shall be provided to the user by the manufacturer or its distributors and shall be available for inspection at the job site at the request of the Building Official.

This NOA renews NOA 18-0912.05 and consists of pages 1 through 30.

The submitted documentation was reviewed by *Freddy Semino*



NOA No.: 20-1117.02
 Expiration Date: 05/05/25
 Approval Date: 12/24/20
 Page 1 of 30

ROOFING SYSTEM APPROVAL:

Category: Roofing
Sub-Category: Non-Structural Metal Roofing
Material: Steel
Deck Type: Wood
Maximum Design Pressure (MDP): See Assemblies herein.

TRADE NAMES OF PRODUCTS MANUFACTURED OR LABELED BY APPLICANT:

<u>Product</u>	<u>Dimensions</u>	<u>Test Specifications</u>	<u>Product Description</u>
Varitile Bond 7	Length: 52.4" Width: 16.3" Thickness: 26 GA, min 0.018" Min. Yield Strength: 50 ksi.	TAS 100	Stone Coated Metal Panels
Varitile Classic	Length: 52.4" Width: 16.3" Thickness: 26 GA, min 0.018" Min. Yield Strength: 50 ksi.	TAS 100	Stone Coated Metal Panels
Varitile Romana	Length: 45.5" Width: 16.3" Thickness: 26 GA, min. 0.018" Min. Yield Strength: 50 ksi.	TAS 100	Stone Coated Metal Panels
Varitile Shake	Length: 52.4" Width: 16.3" Thickness: 26 GA, min. 0.018" Min. Yield Strength: 50 ksi.	TAS 100	Stone Coated Metal Panels
Varitile Mistral	Length: 51.4" Width: 16.3" Thickness: 26 GA, min. 0.018" Min. Yield Strength: 50 ksi.	TAS 100	Stone Coated Metal Panels
Varitile Viksen	Length: 51.4" Width: 16.3" Thickness: 26 GA min. 0.018" Min. Yield Strength: 50 ksi.	TAS 100	Stone Coated Metal Panels
Varitile Riviera	Length: 50.7" Width: 16.3" Thickness: 26 GA min. 0.018" Min. Yield Strength: 50 ksi.	TAS 100	Stone Coated Metal Panels



Varitile Gallo	Length: 51.8" Width: 16.5" Thickness: 26 GA min. 0.018" Min. Yield Strength: 50 ksi.	TAS 100	Stone Coated Metal Panels
Trim Pieces	Width = Varies Length = Varies Thickness = min. 0.018"	TAS 100	Standard flashing and trim pieces

MANUFACTURING LOCATION:

1. Tongeren, Belgium

EVIDENCE SUBMITTED:

<u>Test Agency</u>	<u>Test Identifier</u>	<u>Test Name /Report</u>	<u>Date</u>
PRI Construction Materials Technologies	MTTE-001-02-01	ASTM G 155	03/06/15
	MTTE-002-02-01	ASTM B 117	03/06/15
	MTTE-003-02-01	TAS 125	03/06/15
	MTTE-004-02-01	TAS 125	03/06/15
	MTTE-005-02-01	TAS 125	03/06/15
	MTTE-008-02-01	TAS 100	03/06/15
	MTTE-009-02-01	TAS 100	03/06/15
	VRT-003-02-01	TAS 125	09/11/15
	VRT-007-02-01	TAS 125	08/08/17
	VRT-011-02-01	TAS 125 / UL 580	07/25/18
	VRT-011-02-02	TAS 100	07/26/18
	VRT-012-02-01	TAS 125 / UL 580	07/26/18
	VRT-012-02-02	TAS 100	07/26/18
	UL	UL ER38141-01	ASTM E108



APPROVED ASSEMBLIES

System A	Varitile Bond 7
Deck Type 1:	Wood, Non-insulated
Deck Description:	New Construction ¹⁹ / ₃₂ " or greater plywood or wood plank, or Re-roof ¹⁵ / ₃₂ " or greater plywood or wood plank.
Slope Range:	3:12 or greater
Maximum Uplift Pressure:	See Table A below.
Deck Attachment:	In accordance with applicable Building Code, but in no case shall it be less than 8d annular ring shank nails spaced 6" o.c. In reroofing, where the deck is less than ¹⁹ / ₃₂ " thick (minimum ¹⁵ / ₃₂ "), the above attachment method must be in addition to existing attachment.
Underlayment:	Minimum underlayment shall be an ASTM D 226 Type II installed with a minimum 4" side-lap and 6" end-laps. Underlayment shall be fastened with corrosion resistant tin-caps and 12 gauge 1 ¼" annular ring shank nails, spaced 6" o.c. at all laps and two staggered rows 12" o.c. in the field of the roll or any Miami-Dade County Product Control Approved underlayment having a current NOA.
Fire Barrier Board:	Any approved fire barrier having a current NOA. Refer to a current fire directory listing for fire ratings of this roofing system assembly as well as the location of the fire barrier within the assembly. See Limitation #1.
Valleys:	Valley construction shall be in compliance with Roofing Application Standard RAS 133 and with Varitile, Inc. current published installation instructions.
Battens:	Field Condition: Install 2 x 2 wood battens over underlayment, running perpendicular to roof slope, under each head lap at approximately 14-1/2" o.c. with one (1) #10 x 3-1/2" bugle head corrosion resistant wood screw installed 24" o.c. into joist intersections and with one (1) #9 x 2-1/2" bugle head corrosion resistant wood screw installed 24" o.c. into the sheathing mid-span between joist intersections. Fasteners shall be of sufficient length to penetrate through the sheathing a minimum of ³ / ₁₆ ". Perimeter and Corner Condition: Install 2 x 2 wood battens over underlayment, running perpendicular to roof slope, under each head lap at approximately 14-1/2" o.c. with two (2) #10 x 3-1/2" bugle head corrosion resistant wood screws into joist intersections and with one (1) #9 x 2-1/2" bugle head corrosion resistant wood screw installed 24" o.c. into the sheathing mid-span between joist intersections. Fasteners shall be of sufficient length to penetrate through the sheathing a minimum of ³ / ₁₆ ".



Metal Panels and Accessories:

Install the Varitile, Inc. panels and accessories in compliance with the current installation instructions published by Varitile, Inc. Flashings, penetrations, valley construction and other details shall be constructed in compliance with the minimum requirements provided in Roofing Application Standard RAS 133.

Panels shall be fastened to battens with a minimum number of fasteners listed below in **Table A**. Fasteners shall be corrosion resistant 11.5 ga, 2-1/4" Ballistic Nail Screws per panel. Fasteners are located into the panel nose through the head lap of the preceding course and into batten. Panels are installed with a 14-1/2" exposure and 2-1/2" adjacent panel overlap. See **Detail 'A'** herein.

TABLE A MAXIMUM DESIGN PRESSURES		
Roof Areas	Field²	Perimeter and Corner^{1,2}
Maximum Design Pressures	-75 psf.	-135 psf.
Minimum Number of Fasteners per Panel	5	7
1. Extrapolation shall not be allowed, See General Limitation #2		
2. See Batten installation instruction for System A herein.		



System B:	Varitile Classic, Varitile Shake, Varitile Viksen
Deck Type 1:	Wood, Non-insulated
Deck Description:	New Construction ¹⁹ / ₃₂ " or greater plywood or wood plank, or Re-roof ¹⁵ / ₃₂ " or greater plywood or wood plank.
Slope Range:	3:12 or greater
Maximum Uplift Pressure:	See Table B below
Deck Attachment:	In accordance with applicable Building Code, but in no case shall it be less than 8d x 2 ³ / ₈ " annular ring shank nails spaced 6" o.c. In reroofing, where the deck is less than ¹⁹ / ₃₂ " thick (minimum ¹⁵ / ₃₂ "), the above attachment method must be in addition to existing attachment.
Underlayment:	Minimum underlayment shall be an ASTM D 226 Type II installed with a minimum 4" side-lap and 6" end-laps. Underlayment shall be fastened with corrosion resistant tin-caps and 12 gauge 1 ¹ / ₄ " annular ring shank nails, spaced 6" o.c. at all laps and two staggered rows 12" o.c. in the field of the roll or any Miami-Dade County Product Control Approved underlayment having a current NOA.
Fire Barrier Board:	Any approved fire barrier having a current NOA. Refer to a current fire directory listing for fire ratings of this roofing system assembly as well as the location of the fire barrier within the assembly. See Limitation #1.
Valleys:	Valley construction shall be in compliance with Roofing Application Standard RAS 133 and with Varitile, Inc. current published installation instructions.
Battens:	<p>Field Condition:</p> <p>Install 2 x 2 wood battens over underlayment, running perpendicular to roof slope, under each head lap at approximately 14-1/2" o.c. with one (1) #10 x 3-1/2" bugle head corrosion resistant wood screw installed 24" o.c. into joist intersections and with one (1) #9 x 2-1/2" bugle head corrosion resistant wood screw installed 24" o.c. into the sheathing mid-span between joist intersections. Fasteners shall be of sufficient length to penetrate through the sheathing a minimum of ³/₁₆".</p> <p>Perimeter and Corner Condition:</p> <p>Install 2 x 2 wood battens over underlayment, running perpendicular to roof slope, under each head lap at approximately 14-1/2" o.c. with two (2) #10 x 3-1/2" bugle head corrosion resistant wood screws installed 24" o.c. into joist intersections and with one (1) #9 x 2-1/2" bugle head corrosion resistant wood screw installed 24" o.c. into the sheathing mid-span between joist intersections. Fasteners shall be of sufficient length to penetrate through the sheathing a minimum of ³/₁₆".</p>



Metal Panels and Accessories:

Install the Varitile, Inc. panels and accessories in compliance with the current installation instructions published by Varitile, Inc. Flashings, penetrations, valley construction and other details shall be constructed in compliance with the minimum requirements provided in Roofing Application Standard RAS 133.

Panels shall be fastened to battens with a minimum number of fasteners listed below in **Table B**. The fasteners shall be corrosion resistant 11.5 ga, 2-1/4" Ballistic Nail Screws per panel. Fasteners are located into the panel nose through the head lap of the preceding course and into batten. Panels are installed with a 14-1/2" exposure and 2-1/2" adjacent panel overlap. See **Detail 'B'** herein.

TABLE B MAXIMUM DESIGN PRESSURES		
Roof Areas	Field²	Perimeter and Corner^{1,2}
Maximum Design Pressures	-86.25 psf.	-112.5 psf.
Minimum Number of Fasteners per Panel	5	7
1. Extrapolation shall not be allowed, See General Limitation #2		
2. See Batten installation instruction for System B herein.		



System C:	Varitile Romana
Deck Type 1:	Wood, Non-insulated
Deck Description:	New Construction ¹⁹ / ₃₂ " or greater plywood or wood plank, or Re-roof ¹⁵ / ₃₂ " or greater plywood or wood plank.
Slope Range:	3:12 or greater
Maximum Uplift Pressure:	See Table C below
Deck Attachment:	In accordance with applicable Building Code, but in no case shall it be less than 8d x 2 ³ / ₈ " annular ring shank nails spaced 6" o.c. In reroofing, where the deck is less than ¹⁹ / ₃₂ " thick (minimum ¹⁵ / ₃₂ "), the above attachment method must be in addition to existing attachment.
Underlayment:	Minimum underlayment shall be an ASTM D 226 Type II installed with a minimum 4" side-lap and 6" end-laps. Underlayment shall be fastened with corrosion resistant tin-caps and 12 gauge 1 ¹ / ₄ " annular ring shank nails, spaced 6" o.c. at all laps and two staggered rows 12" o.c. in the field of the roll or any Miami-Dade County Product Control Approved underlayment having a current NOA.
Fire Barrier Board:	Any approved fire barrier having a current NOA. Refer to a current fire directory listing for fire ratings of this roofing system assembly as well as the location of the fire barrier within the assembly. See Limitation #1.
Valleys:	Valley construction shall be in compliance with Roofing Application Standard RAS 133 and with Varitile, Inc. current published installation instructions.
Battens:	<p>Field Condition:</p> <p>Install 2 x 2 wood battens over underlayment, running perpendicular to roof slope, under each head lap at approximately 14-1/2" o.c. with one (1) #10 x 3-1/2" bugle head corrosion resistant wood screw installed 24" o.c. into joist intersections and with one (1) #9 x 2-1/2" bugle head corrosion resistant wood screw installed 24" o.c. into the sheathing mid-span between joist intersections. Fasteners shall be of sufficient length to penetrate through the sheathing a minimum of ³/₁₆".</p> <p>Perimeter and Corner Condition:</p> <p>Install 2 x 2 wood battens over underlayment, running perpendicular to roof slope, at 14-1/2" o.c. Attach wood battens through the deck to wood trusses spaced 24" o.c. with two (2) #10 x 3-1/2" bugle head corrosion resistant wood screws into joist intersections and with one (1) #9 x 2-1/2" bugle head corrosion resistant wood screw installed 24" o.c. into the sheathing mid-span between joist intersections. Fasteners shall be of sufficient length to penetrate through the sheathing a minimum of ³/₁₆".</p>



Metal Panels and Accessories:

Install the Varitile, Inc. panels and accessories in compliance with the current installation instructions published by Varitile, Inc. Flashings, penetrations, valley construction and other details shall be constructed in compliance with the minimum requirements provided in Roofing Application Standard RAS 133.

Panels shall be fastened to battens with a minimum six (6) corrosion resistant 11.5 ga, 2-1/4" Ballistic Nail Screws per panel. Fasteners are located into panel nose through the head lap of each preceding course and into the batten. Panels are installed with a 14-1/2" exposure and 3-1/8" adjacent panel overlap. See **Detail 'C'** herein.

TABLE C MAXIMUM DESIGN PRESSURES		
Roof Areas	Field	Perimeter and Corner¹
Maximum Design Pressures	-105 psf.	-172.5 psf.
Batten attachment	See instructions for System C herein	See instructions for System C herein
1. Extrapolation shall not be allowed, See General Limitation #2		



System D:	Varitile Mistral, Varitile Gallo
Deck Type 1:	Wood, Non-insulated
Deck Description:	New Construction ¹⁹ / ₃₂ " or greater plywood or wood plank, or Re-roof ¹⁵ / ₃₂ " or greater plywood or wood plank.
Slope Range:	3:12 or greater
Maximum Uplift Pressure:	See Table D below
Deck Attachment:	In accordance with applicable Building Code, but in no case shall it be less than 8d x 2 ³ / ₈ " annular ring shank nails spaced 6" o.c. In reroofing, where the deck is less than ¹⁹ / ₃₂ " thick (minimum ¹⁵ / ₃₂ "), the above attachment method must be in addition to existing attachment.
Underlayment:	Minimum underlayment shall be an ASTM D 226 Type II installed with a minimum 4" side-lap and 6" end-laps. Underlayment shall be fastened with corrosion resistant tin-caps and 12 gauge 1 ¹ / ₄ " annular ring shank nails, spaced 6" o.c. at all laps and two staggered rows 12" o.c. in the field of the roll or any Miami-Dade County Product Control Approved underlayment having a current NOA.
Fire Barrier Board:	Any approved fire barrier having a current NOA. Refer to a current fire directory listing for fire ratings of this roofing system assembly as well as the location of the fire barrier within the assembly. See Limitation #1.
Valleys:	Valley construction shall be in compliance with Roofing Application Standard RAS 133 and with Varitile, Inc. current published installation instructions.
Battens:	<p>Field Condition:</p> <p>Install 2 x 2 wood battens over underlayment, running perpendicular to roof slope, at 14-1/2" o.c. Attach wood battens through the deck to wood trusses spaced 24" o.c. with one (1) #10 x 3-1/2" bugle head corrosion resistant wood screw into joist intersections and with one (1) #9 x 2-1/2" bugle head corrosion resistant wood screw installed 24" o.c. into the sheathing mid-span between joist intersections. Fasteners shall be of sufficient length to penetrate through the sheathing a minimum of ³/₁₆".</p> <p>Perimeter and Corner Condition:</p> <p>Install 2 x 2 wood battens over underlayment, running perpendicular to roof slope, at 14-1/2" o.c. Attach wood battens through the deck to wood trusses spaced 24" o.c. with two (2) #10 x 3-1/2" bugle head corrosion resistant wood screws into joist intersections and with one (1) #9 x 2-1/2" bugle head corrosion resistant wood screw installed 24" o.c. into the sheathing mid-span between joist intersections. Fasteners shall be of sufficient length to penetrate through the sheathing a minimum of ³/₁₆".</p>



Metal Panels and Accessories:

Install the Varitile, Inc. panels and accessories in compliance with the current installation instructions published by Varitile, Inc. Flashings, penetrations, valley construction and other details shall be constructed in compliance with the minimum requirements provided in Roofing Application Standard RAS 133.

Panels shall be fastened to battens with a minimum number of fasteners listed in Table D below. The fasteners shall be corrosion resistant five (5) 11.5 ga, 2-1/4" Ballistic Nail Screws per panel. Fasteners are located into the panel nose through the head lap of the preceding course and into batten. Panels are installed with a 14-1/2" exposure and 2-1/2" panel overlap. See **Detail 'D'** herein.

TABLE D MAXIMUM DESIGN PRESSURES		
Roof Areas	Field²	Perimeter and Corner^{1,2}
Maximum Design Pressures	-86.25 psf.	-142.5 psf.
Minimum Number of Fasteners per Panel	5	7
1. Extrapolation shall not be allowed, See General Limitation #2		
2. See Batten installation instruction for System D herein.		



System E:	Varitile Riviera
Deck Type 1:	Wood, Non-insulated
Deck Description:	New Construction ¹⁹ / ₃₂ " or greater plywood or wood plank, or Re-roof ¹⁵ / ₃₂ " or greater plywood or wood plank
Slope Range:	3:12 or greater
Maximum Uplift Pressure:	See Table E below
Deck Attachment:	In accordance with applicable Building Code, but in no case shall it be less than 8d x 2 ³ / ₈ " annular ring shank nails spaced 6" o.c. In reroofing, where the deck is less than ¹⁹ / ₃₂ " thick (minimum ¹⁵ / ₃₂ "), the above attachment method must be in addition to existing attachment.
Underlayment:	Minimum underlayment shall be an ASTM D 226 Type II installed with a minimum 4" side-lap and 6" end-laps. Underlayment shall be fastened with corrosion resistant tin-caps and 12 gauge 1 ¹ / ₄ " annular ring shank nails, spaced 6" o.c. at all laps and two staggered rows 12" o.c. in the field of the roll or any Miami-Dade County Product Control Approved underlayment having a current NOA.
Fire Barrier Board:	Any approved fire barrier having a current NOA. Refer to a current fire directory listing for fire ratings of this roofing system assembly as well as the location of the fire barrier within the assembly. See Limitation #1.
Valleys:	Valley construction shall be in compliance with Roofing Application Standard RAS 133 and with Varitile, Inc. current published installation instructions.
Battens:	<p>Field Condition:</p> <p>Install 2 x 2 wood battens over underlayment, running perpendicular to roof slope, under each head lap at approximately 14-1/2" o.c. with one (1) #10 x 3-1/2" bugle head corrosion resistant wood screw installed 24" o.c. into joist intersections and with one (1) #9 x 2-1/2" bugle head corrosion resistant wood screw installed 24" o.c. into the sheathing mid-span between joist intersections. Fasteners shall be of sufficient length to penetrate through the sheathing a minimum of ³/₁₆".</p> <p>Perimeter and Corner Condition:</p> <p>Install 2 x 2 wood battens over underlayment, running perpendicular to roof slope, under each head lap at approximately 14-1/2" o.c. with two (2) #10 x 3-1/2" bugle head corrosion resistant wood screws installed 24" o.c. into joist intersections and with one (1) #9 x 2-1/2" bugle head corrosion resistant wood screw installed 24" o.c. into the sheathing mid-span between joist intersections. Fasteners shall be of sufficient length to penetrate through the sheathing a minimum of ³/₁₆".</p>



Metal Panels and Accessories:

Install the Varitile, Inc. panels and accessories in compliance with the current installation instructions published by Varitile, Inc. Flashings, penetrations, valley construction and other details shall be constructed in compliance with the minimum requirements provided in Roofing Application Standard RAS 133.

Panels shall be fastened to battens with a minimum number of fasteners listed in Table E. below. The fasteners shall be corrosion resistant 11.5 ga, 2-1/4" Ballistic Nail Screws per panel. Fasteners are located into the panel nose through the head lap of the preceding course and into batten. Panels are installed with a 14-1/2" exposure and 2-1/2" adjacent panel overlap. See **Detail 'B'** for field condition and **Detail 'E'** for perimeter and corner condition herein.

TABLE E MAXIMUM DESIGN PRESSURES		
Roof Areas	Field²	Perimeter and Corner^{1,2}
Maximum Design Pressures	-86.25 psf.	-135 psf.
Minimum Number of Fasteners per Panel	5	7
1. Extrapolation shall not be allowed, See General Limitation #2		
2. See Batten installation instruction for System E herein.		



System F: Varitile Riviera

Deck Type 1: Wood, Non-insulated

Deck Description: New Construction $1\frac{9}{32}$ " or greater plywood or wood plank, or Re-roof $1\frac{5}{32}$ " or greater plywood or wood plank

Slope Range: 3:12 or greater

Maximum Uplift Pressure: See Table F below

Deck Attachment: In accordance with applicable Building Code, but in no case shall it be less than 8d x 2 $\frac{3}{8}$ " annular ring shank nails spaced 6" o.c. In reroofing, where the deck is less than $1\frac{9}{32}$ " thick (minimum $1\frac{5}{32}$ "), the above attachment method must be in addition to existing attachment.

Underlayment: Minimum underlayment shall be an ASTM D 226 Type II installed with a minimum 4" side-lap and 6" end-laps. Underlayment shall be fastened with corrosion resistant tin-caps and 12 gauge 1 $\frac{1}{4}$ " annular ring shank nails, spaced 6" o.c. at all laps and two staggered rows 12" o.c. in the field of the roll or any Miami-Dade County Product Control Approved underlayment having a current NOA.

Fire Barrier Board: Any approved fire barrier having a current NOA. Refer to a current fire directory listing for fire ratings of this roofing system assembly as well as the location of the fire barrier within the assembly. See Limitation #1.

Valleys: Valley construction shall be in compliance with Roofing Application Standard RAS 133 and with Varitile, Inc. current published installation instructions.

Metal Panels and Accessories: Install the Varitile, Inc. panels and accessories in compliance with the current installation instructions published by Varitile, Inc. Flashings, penetrations, valley construction and other details shall be constructed in compliance with the minimum requirements provided in Roofing Application Standard RAS 133.

Panels shall be fastened to battens with a minimum number of fasteners listed in Table F. below. The fasteners shall be corrosion resistant #10-15 x 2-1/2" WoodGrip HiLo HWH wood screws per panel. Fasteners are located into the panel nose through the head lap of the preceding course and into batten. Panels are installed with a 14-1/2" exposure and 2-1/2" adjacent panel overlap. See **Detail 'F'** for field condition and for perimeter and corner condition herein.

TABLE F
MAXIMUM DESIGN PRESSURES

Roof Areas	Field ²	Perimeter and Corner ^{1,2}
Maximum Design Pressures	-108.75 psf.	- 187.5 psf.
Minimum Number of Fasteners per Panel	5	8

1. Extrapolation shall not be allowed, See General Limitation #2



System G:	Varitile Classic, Varitile Gallo, Varitile Mistral, Varitile Shake, Varitile Viksen, Varitile Bond 7
Deck Type 1:	Wood, Non-insulated
Deck Description:	New Construction ¹⁹ / ₃₂ " or greater plywood or wood plank, or Re-roof ¹⁵ / ₃₂ " or greater plywood or wood plank.
Slope Range:	3:12 or greater
Maximum Uplift Pressure:	See Table G below
Deck Attachment:	In accordance with applicable Building Code, but in no case shall it be less than 8d x 2 ³ / ₈ " annular ring shank nails spaced 6" o.c. In reroofing, where the deck is less than ¹⁹ / ₃₂ " thick (minimum ¹⁵ / ₃₂ "), the above attachment method must be in addition to existing attachment.
Underlayment:	Minimum underlayment shall be an ASTM D 226 Type II installed with a minimum 4" side-lap and 6" end-laps. Underlayment shall be fastened with corrosion resistant tin-caps and 12 gauge 1 ¹ / ₄ " annular ring shank nails, spaced 6" o.c. at all laps and two staggered rows 12" o.c. in the field of the roll or any Miami-Dade County Product Control Approved underlayment having a current NOA.
Fire Barrier Board:	Any approved fire barrier having a current NOA. Refer to a current fire directory listing for fire ratings of this roofing system assembly as well as the location of the fire barrier within the assembly. See Limitation #1.
Valleys:	Valley construction shall be in compliance with Roofing Application Standard RAS 133 and with Varitile, Inc. current published installation instructions.
Metal Panels and Accessories:	Install the Varitile, Inc. panels and accessories in compliance with the current installation instructions published by Varitile, Inc. Flashings, penetrations, valley construction and other details shall be constructed in compliance with the minimum requirements provided in Roofing Application Standard RAS 133.

Panels shall be fastened to battens with a minimum number of fasteners listed below in **Table G**. The fasteners shall be corrosion resistant #10-15 x 2-1/2" WoodGrip HiLo HWH wood screws per panel. Fasteners are located into the panel nose through the head lap of the preceding course and into batten. Panels are installed with a 14-1/2" exposure and 2-1/2" adjacent panel overlap. See **Detail 'G'** herein.

TABLE G		
MAXIMUM DESIGN PRESSURES		
Roof Areas	Field²	Perimeter and Corner^{1,2}
Maximum Design Pressures	-101.25 psf.	-112.5 psf.
Minimum Number of Fasteners per Panel	5	8

1. Extrapolation shall not be allowed, See General Limitation #2



GENERAL LIMITATIONS:

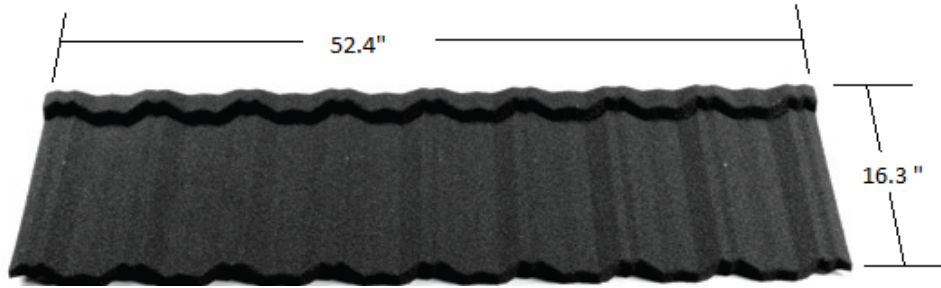
1. Fire classification is not part of this acceptance; refer to a current Approved Roofing Materials Directory for fire ratings of this product.
2. The maximum designed pressure listed herein shall be applicable to all roof pressure zones (i.e. field, perimeters, and corners). Neither rational analysis, nor extrapolation shall be permitted for enhanced fastening at enhanced pressure zones (i.e. perimeters, extended corners and corners).
3. All panels shall be permanently labeled with the manufacturer’s name and/or logo, city and state of manufacturing facility, and the following statement: “Miami-Dade County Product Control Approved” **or** with the Miami-Dade County Product Control Seal as seen below. All clips (if applicable) shall be permanently labeled with the manufacturer’s name and/or logo, and/or model.



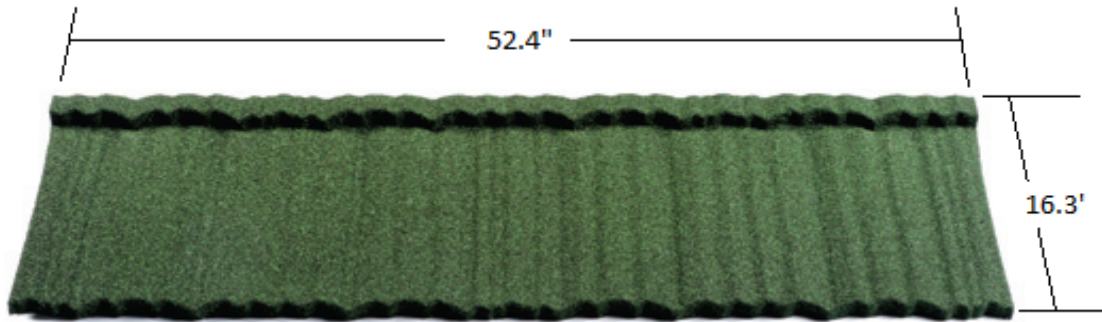
4. All products listed herein shall have a quality assurance audit in accordance with the Florida Building Code and Rule 61G20-3 of the Florida Administrative Code.
5. Any modifications to this Notice of Acceptance shall void such approval.



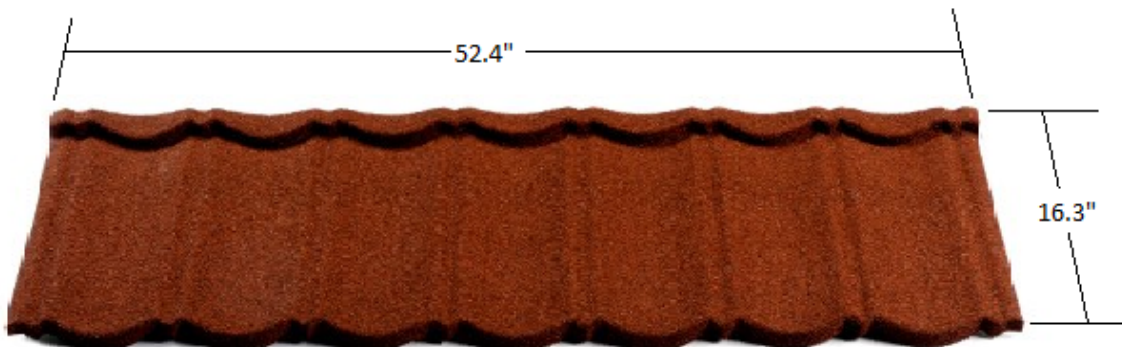
PROFILE DRAWINGS



VARITILE CLASSIC



VARITILE SHAKE

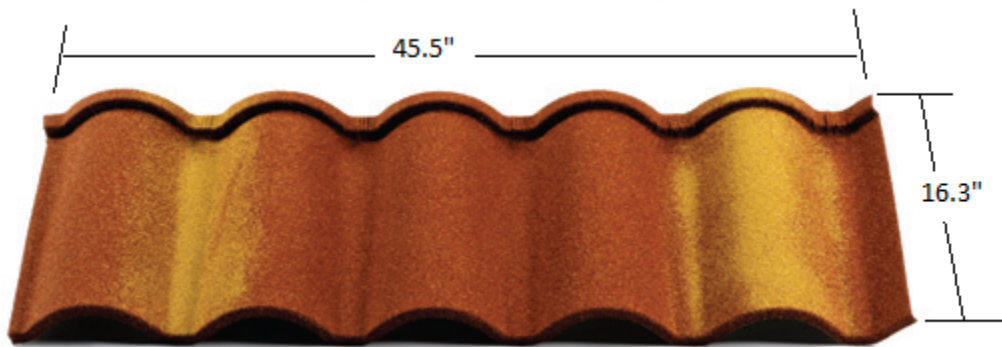


VARITILE BOND 7





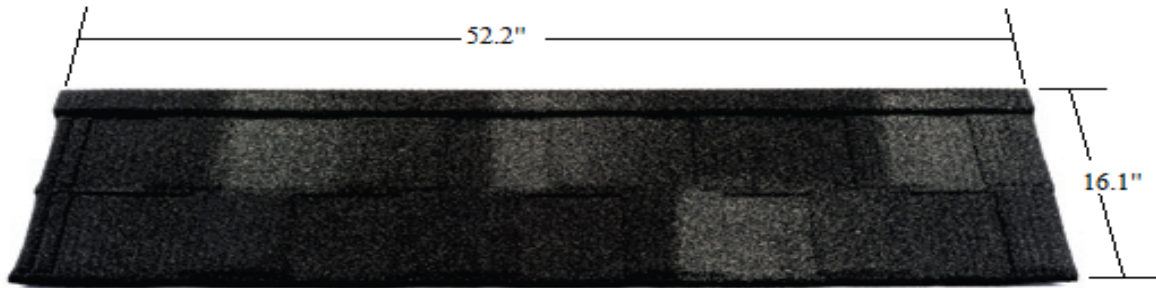
VARITILE RIVIERA



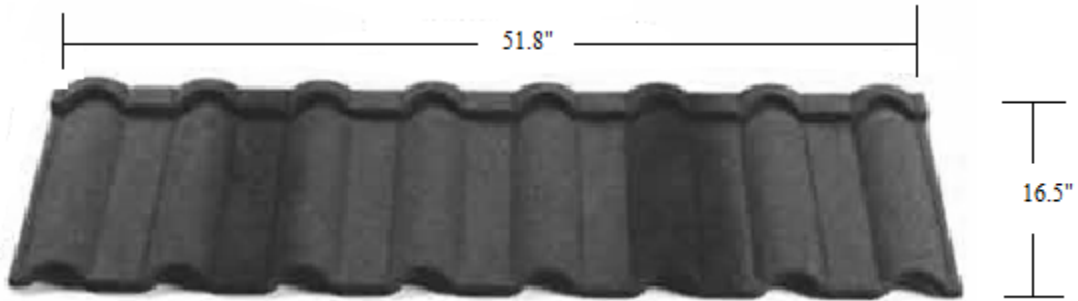
VARITILE ROMANA



VARITILE MISTRAL



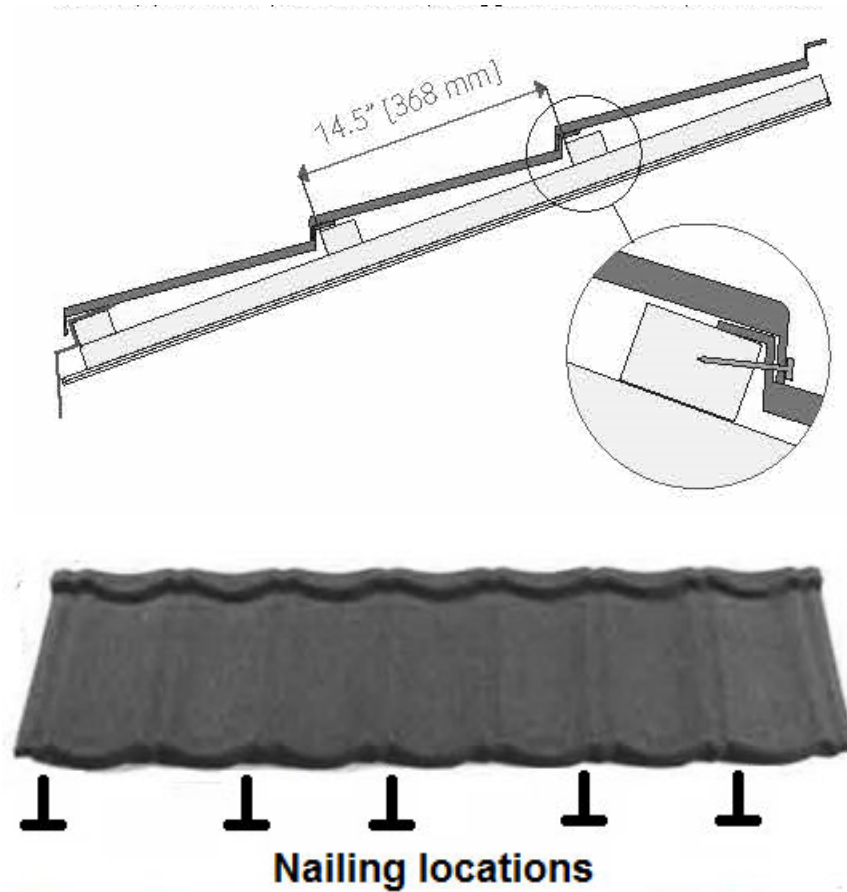
VARITILE VIKSEN



VARITILE GALLO

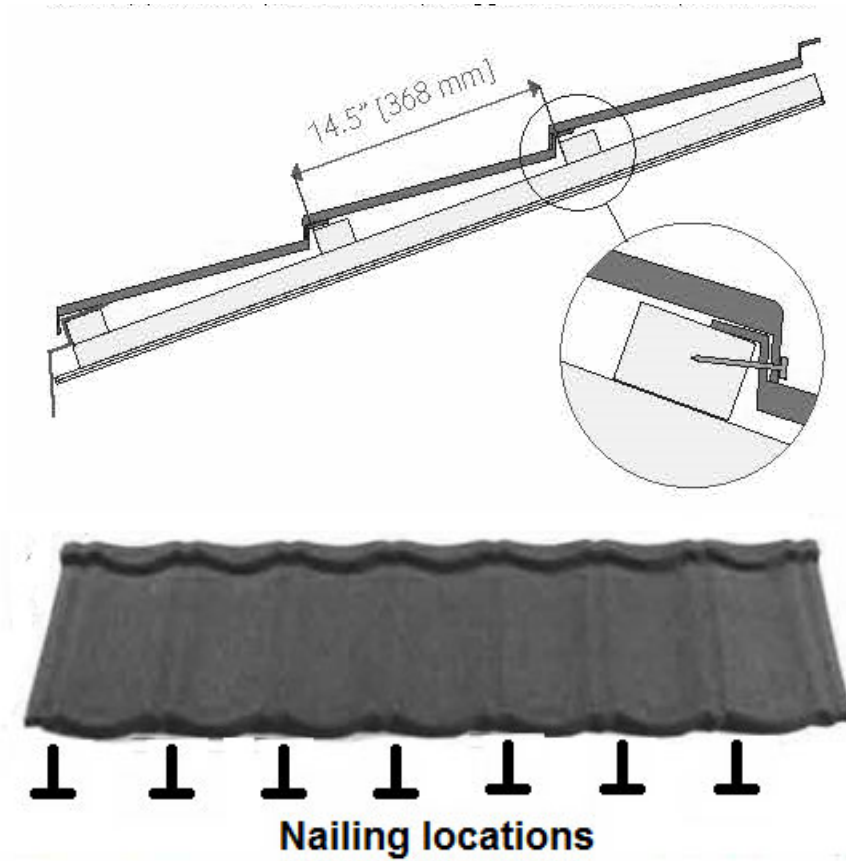
DETAIL A

VARITILE BOND 7 OVER WOOD BATTENS – FIVE (5) FASTENERS PER PANEL



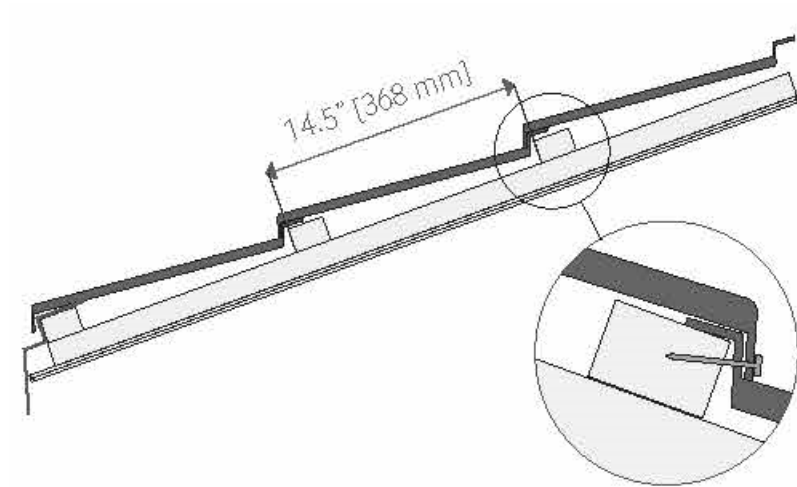
DETAIL A (CONTINUED)

VARITILE BOND 7 OVER WOOD BATTENS – SEVEN (7) FASTENERS PER PANEL



DETAIL B

**VARITILE CLASSIC, VARITILE SHAKE, VARITILE VIKSEN AND VARITILE RIVIERA OVER WOOD
BATTENS
FIVE (5) FASTENERS PER PANEL**



Nailing locations

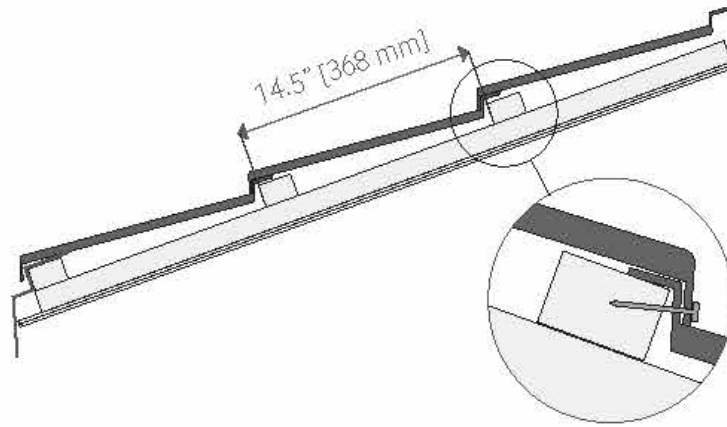


Nailing locations



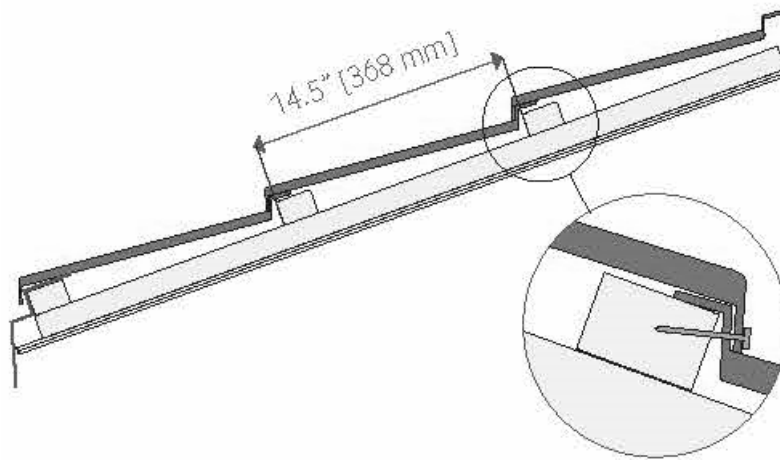
DETAIL B (CONTINUED)

**VARITILE CLASSIC, VARITILE SHAKE AND VARITILE VIKSEN OVER WOOD BATTENS
SEVEN (7) FASTENERS PER PANEL**



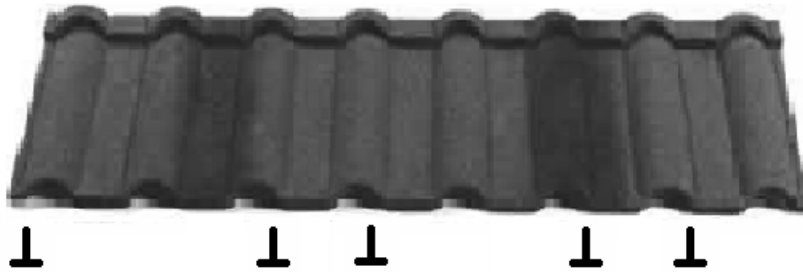
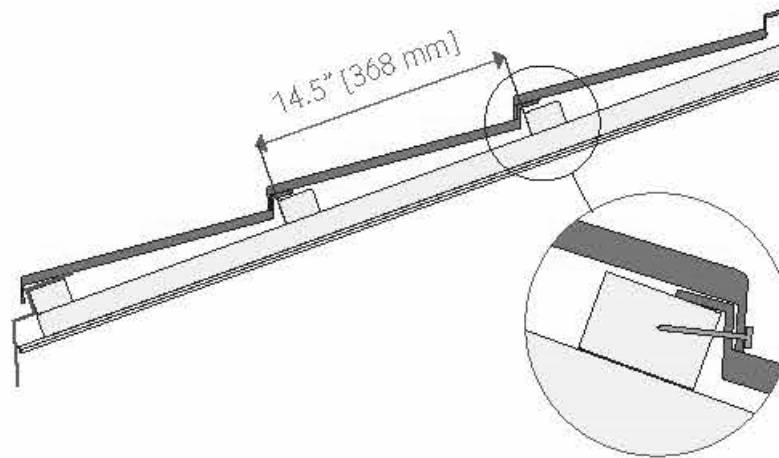
DETAIL C

VARITILE ROMANA OVER WOOD BATTENS – SIX (6) FASTENERS PER PANEL

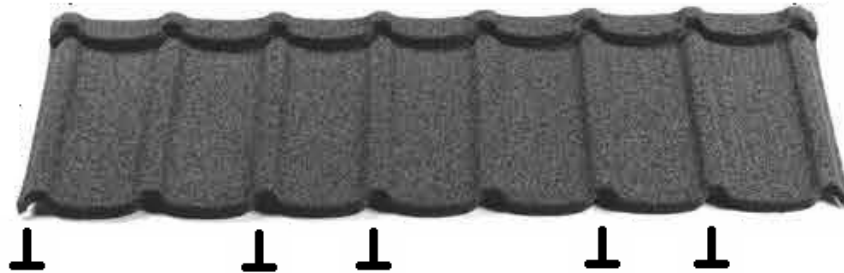


DETAIL D

VARITILE MISTRAL AND VARITILE GALLO OVER WOOD BATTENS – FIVE (5) FASTENERS PER PANEL



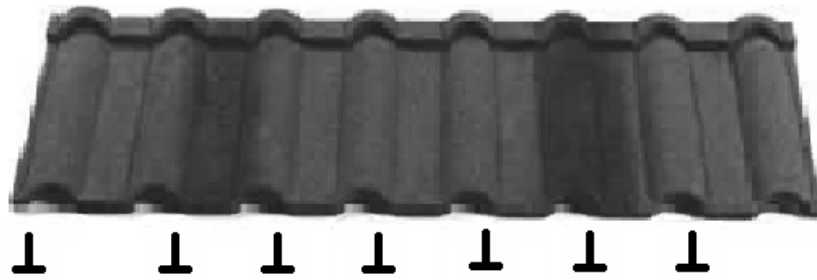
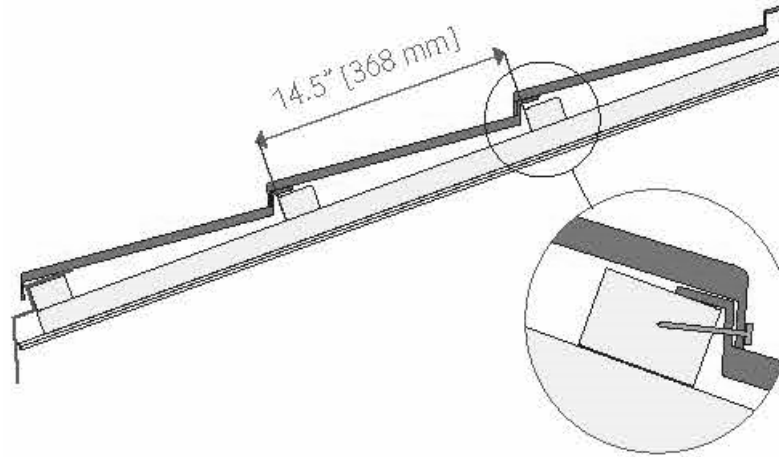
Nailing locations



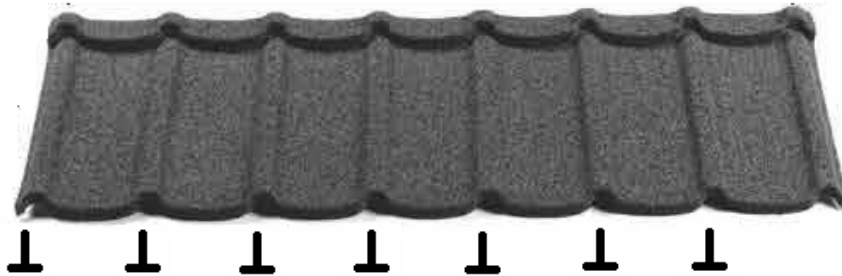
Nailing locations

DETAIL D (CONTINUED)

VARITILE MISTRAL AND VARITILE GALLO OVER WOOD BATTENS – SEVEN (7) FASTENERS PER PANEL



Nailing locations

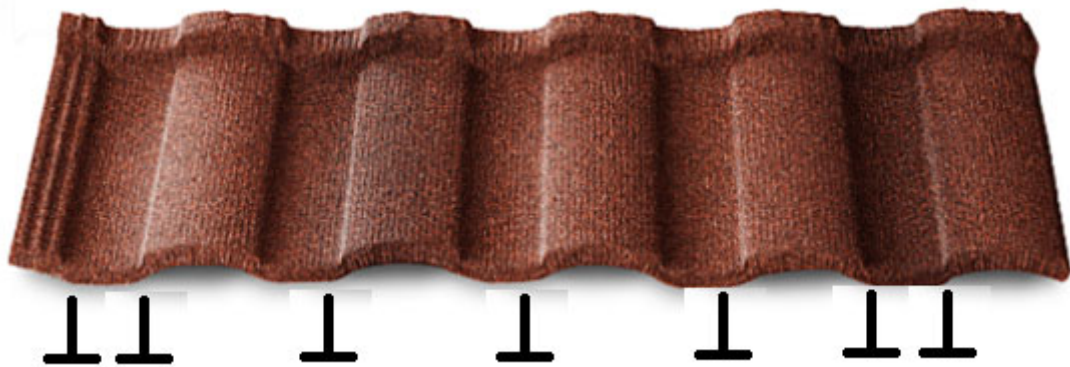
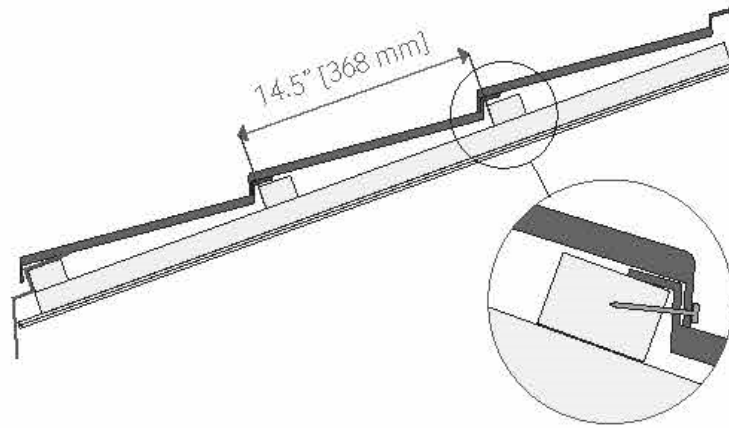


Nailing locations



DETAIL E

VARITILE RIVIERA OVER WOOD BATTENS SEVEN (7) FASTENERS PER PANEL



DETAIL F

VARITILE RIVIERA DIRECT DECK EIGHT (8) FASTENERS PER PANEL



Fastening for (8) screws in the back shelf and (8) screws in the nose of the panel

Approximate dimensions from left to right: 7"-4.5"-7.5"-7"-4.5"-7.5"-7"-5.5"

VARITILE RIVIERA - DIRECT TO DECK - FIVE (5) FASTENERS PER PANEL



Fastening for (5) screws in the back shelf and (5) screws in the nose of the panel

Approximate dimensions from left to right: 11.75"-9.5"-9.5"-9.5"-9.5"



DETAIL G

**VARITILE CLASSIC, VARITILE SHAKE VARITILE GALLO, VARITILE MISTRAL, VARITILE BOND 7,
AND VARITILE VIKSEN DIRECT TO DECK
EIGHT (8) FASTENERS PER PANEL**



**Fastening for (8) screws in the back shelf and (8) screws in the nose of the panel
Approximate dimensions from left to right: 8.75"-4"-7.25"-7.5"-4"-7.25"-7"-4"**

**VARITILE CLASSIC, VARITILE SHAKE VARITILE GALLO, VARITILE MISTRAL, VARITILE BOND 7,
AND VARITILE VIKSEN DIRECT TO DECK
FIVE (5) FASTENERS PER PANEL**



Fastening for (5) screws in the back shelf and (5) screws in the nose of the panel

Approximate dimensions from left to right: 4.5"-12.5"-12.5"-12.5"-12.5"

END OF THIS ACCEPTANCE

